



NAME: LED Wall Pack Light

P/N: NT-SNC-SWP01-120AA1-abc

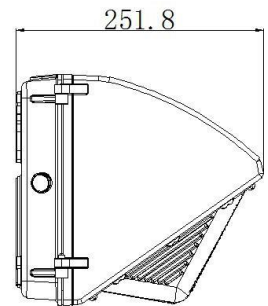
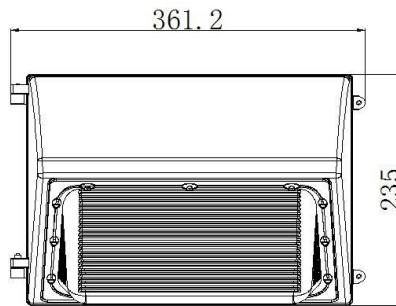
Where "a" can be "S" or blank to represent Surge-Protective Device or None Surge-Protective Device,
 Where "b" can be "P" or blank to represent Photo controller or None Photo controller,
 Where "c" can be any two-digit number to represent CCT.

Advantage:

- UL cUL DLC certificate
- IP65 Internal driver, Input voltage 100-277VAC
- No UV or IR in the beam
- Easy to install and operate
- Energy saving, long lifespan
- Light is soft and uniform, safe to eyes
- Instant start, NO flickering, NO humming
- Green and eco-friendly without mercury.

Application:

- ◆ entrance lighting, courtyard lighting
- ◆ Industrial lighting, Outdoor landscape lighting;
- ◆ Building, The hotel;
- ◆ Wall lighting area and so on.



Product Specifications

Product name	LED Wall Pack Light
Part No	NT-SNC-SWP01-120AA1-abc
Dimension	361.2*235*251.8mm

Technical Characteristic

Color temperature	4000K	4500K	5000K	5700K
CRI	>80			
Lumen	14000LM			
Lumen Efficac	125-135LM/W			
Input Power	120W			
Viewing Angle	110 Degree			
Input Voltage	100-277VAC		50/60Hz	
Driver model	China Brand Driver			
PF	>0.9			
Waterproof Rating	IP65			

Materials

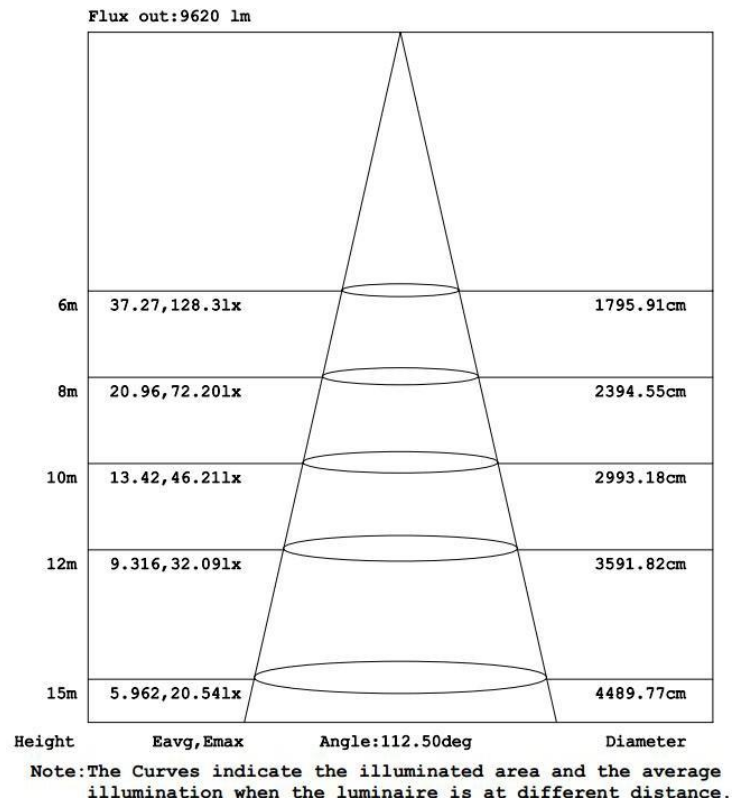
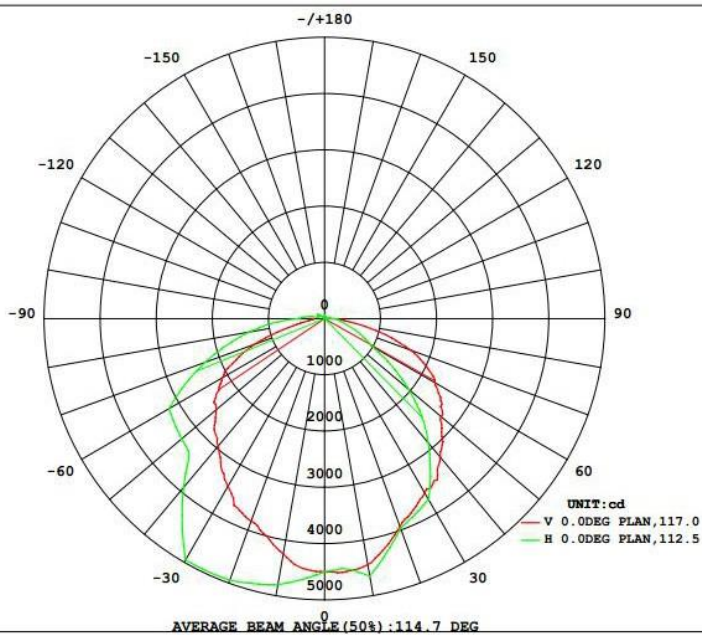
LED Type	2835, 0.5W
LED QTY	420 PCS
Housing	Aluminum(ADC12) +PC
Housing color	Brown
Optional Accessory	Photocell / Surge protector

Others

Operating Temperature	-20℃ TO 45℃
Operating Humidity	20%-90% RH
Storage Temperature	-30℃ TO 80℃
Storage Humidity	10%-95%
Application	Outdoor / Indoor
Safety Certification	UL、CUL、DLC
Warranty Time	5 Years

Light Distribution Testing Parameters

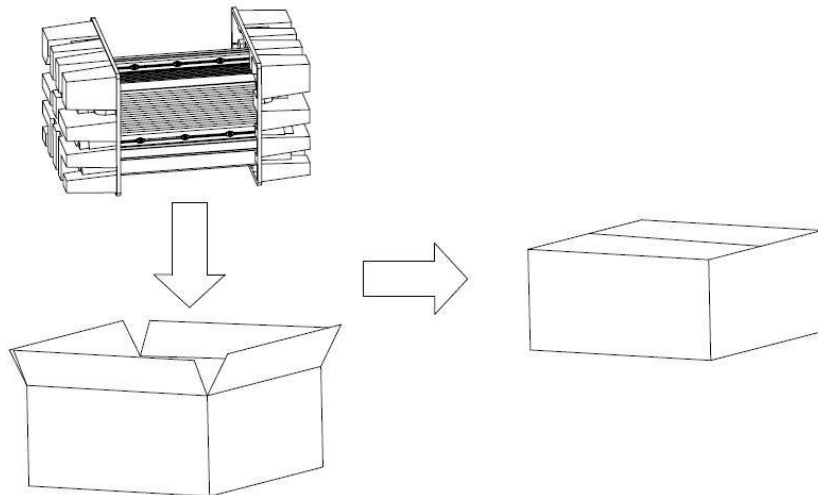
DATA OF LAMP		Eff:123.07lm/W	
MODEL		Imax (cd)	5292
NOMINAL POWER (W)	120	AVAILABILITY (%)	93.2
RATED VOLTAGE (V)	120	Avai. FLUX (lm)	13421
NOMINAL FLUX (lm)	14403	LOR (%)	100.0
LAMPS INSIDE	1	TOTAL FLUX (lm)	14401
TEST VOLTAGE (V)	120	θ @50% (H,V)	114,111DEG



Package

Lamps Net Weight: 4.35 kg / pc

	Size	Qty/ Carton	Weight/ Carton
Cardboard	410*300*320mm	1	5.4 KG



Notice For User

- ◆ Please turn off power before install or change assembly parts.
- ◆ The input voltage and lamps should be matched, after connecting the power line, Please make sure the wiring section is insulated.
- ◆ No-professionals, must not install and disassemble the lamps.

Trouble Shootings

Troubles	Check points
Flickering of the light	Turn off the power and turn on again in 3 minutes. If same phenomena occur, then call agencies
Out of working	Please check the connection