

NAME: LED Flood or Spot Light



Fixtures: 12.9" X 14.3"

**P/N: SCNT-120W-5-SV-X**

Note: The Letter X in P/N stands for  
 1: Short Bracket 220mm = 8.6"  
 2: Long Bracket 270mm = 10.6"

**Advantage:**

UL cUL DLC certificate

- > PHILIPS Chip, High CRI
- > Mean Well IP65 driver,  
 Input voltage 100-277VAC
- 150°75° lens angle
- > No UV or IR in the beam
- > Easy to install and operate
- > Energy saving, Long lifespan
- > Light is soft and uniform, Safe to eyes
- > Instant start, NO flickering, NO humming
- > Green and eco-friendly without mercury.

**Application:**

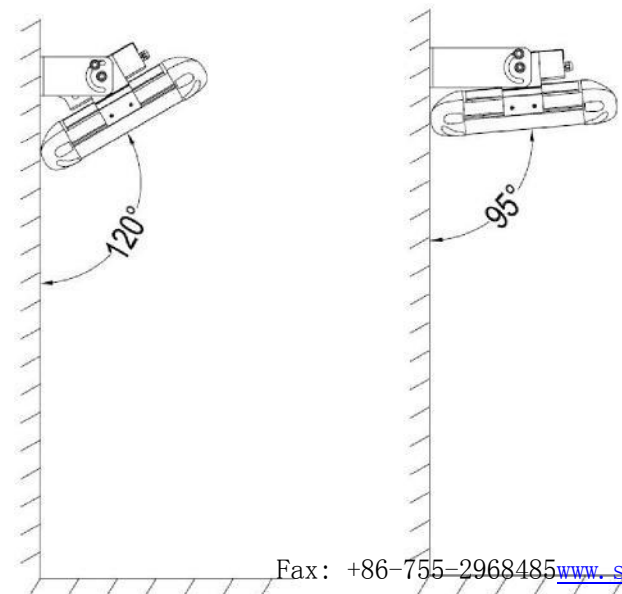
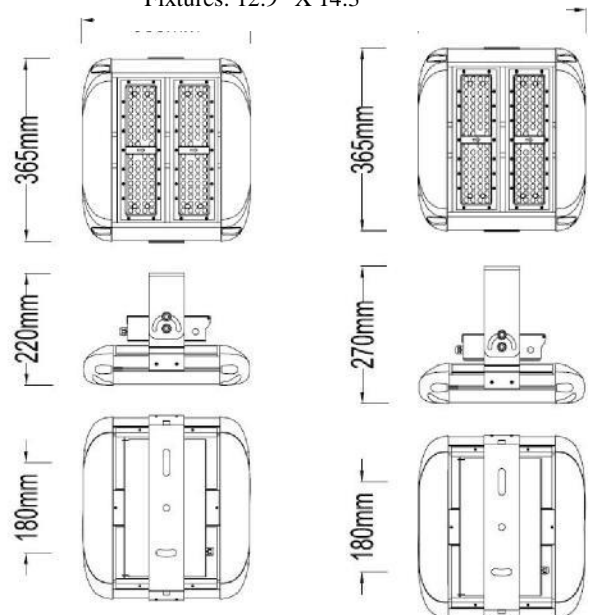
- Architectural Flood and Spot Luminaires

**Different brackets for installation to help you get the best viewing angle**

**Neu-Tech Energy Solutions**

407-230-9096 [gary@retrofitted.net](mailto:gary@retrofitted.net)

[www.retrofitted.net](http://www.retrofitted.net)



Fax: +86-755-2968485 [www.snc-lighting.com](http://www.snc-lighting.com)

**Product Specifications**

Product name	LED Flood Light
Part No	SCNT-FL-120W-5-SV-X
Dimension	12.9"×14.3"×8.6"mm---SCNT-FL-120W-5-SV-1601 12.9"×14.3"×10.6"mm---SCNT-FL-120W-5-SV-1602

**Technical Characteristic**

Color temperature	4000K	5000K	5700K
CRI	>70		
Lumen	15000-16000LM		
Input Power	120W		
Viewing Angle	150°75° TYPE II		
Input Voltage	100-277VAC	50/60Hz	
Driver model	HLG-120H-48A ( Mean Well Driver )		
PFC	>0.9		
Waterproof Rating	IP65		

**Materials**

LED Brand	PHILIPS LUMILEDS
LED Type	LUXEON 3030 2D (1.5W)
LED QTY	140 PCS
Housing	Aluminum
Housing color	Silver
LED Module number	2

**Others**

Operating Temperature	-20° C TO 45° C
Operating Humidity	20%-90% RH
Storage Temperature	-30° C TO 80° C
Storage Humidity	10%-95%
Application	Outdoor / Indoor
Safety Certification	UL、cUL、DLC
Warranty Time	5 Years

# TECHNICAL DATA SHEET

## Light Distribution Testing Parameters

DATA OF LAMP		PHOTOMETRIC DATA			
MODEL	120W	Imax(cd)	9569	S/MH(C0/180)	1.50
NOMINAL POWER(W)	120	LOR(%)	100.0	S/MH(C90/270)	0.84
RATED VOLTAGE(V)	120	TOTAL FLUX(lm)	15622	$\eta$ UP, DN(C0-180)	0.1, 69.8
NOMINAL FLUX(lm)	15622	CIE CLASS	DIRECT	$\eta$ UP, DN(C180-360)	0.1, 30.0
LAMPS INSIDE	1	$\eta$ up(%)	0.2	CIBSE SHR NOM	1.50
TEST VOLTAGE(V)	120.0	$\eta$ down(%)	99.8	CIBSE SHR MAX	1.55

