



OVERVIEW

The FWPR series LED wall light is a high performance LED fixture with lumen values ranging from 3280.3 LM to 13,395 LM. The FWPR series also comes with an 360° adjustable housing with a 60° beam angle, giving the customer more control on the light.

APPLICATIONS

This light can be used for outdoor/indoor applications to be mounting on to a wall.

- Limited Warranty: 5 Years
- Efficacy: up to 133 LPW
- Lumen Output: 3280 - 13395 LM
- Wattage: 25 - 120 W



Project:

Type:

Prepared By:

Date:

Models

Model	Watts(W)	Lumens (LM)	Efficacy (LPW)
FWPR025	25	3280.3	129.66
FWPR040	40	5131.2	128.18
FWPR060	60	7068	117.53
FWPR080	80	10598	133.36
FWPR120	120	13395	119.07

*Lumen Output based on universal voltage models at 5000K
 Also available in Color Temperatures of 4000K, and 5700K and in HV

Technical Specifications

Warranty

Neu-Tech warrants these LED products will be free from defects in materials and workmanship for a period of five (5) years from the date of delivery to the end user, including coverage of light output, color stability, driver performance and fixture finish. Please refer to our full warranty.

Qualifications

UL Listed:
E473037

IESNA LM79 & LM-80 Testing:

Neu-Tech LED luminaires have been tested by an independent laboratory in accordance with IESNA LM-79 and LM-80.

DLC Qualification:

Selected models of this product are on the Design Lights Consortium (DLC) Qualified Products List and are eligible for rebates from DLC Member Utilities. To view our DLC qualified products, please consult the DLC Qualified Products List at www.designlights.org/qpl

Construction

IP Rating:

Ingress Protection rating of IP65 for dust and water

Ambient Temperature:

Suitable for up to 113° F (45° C) ambient temperature

Cold Weather Starting:

The minimum starting temperature is -4° F (-20° C)

Thermal Management:

Superior thermal management with external Air-Flow fins.

Housing:

Die-cast aluminum housing

Lens:

Polycarbonate

Mounting Methods:

Surface mount, angle is adjustable.

Green Technology:

Mercury and UV free, and RoHS compliant. Polyester powder coat finish formulated without the use of VOC or toxic heavy metals.

Finish:

Our environmentally friendly polyester powder coating are formulated from high-durability and long-lasting color, and contains no VOC or toxic heavy metals.

LED Characteristics

Lifespan:

100,000-hour LED lifespan based on IES LM-80 results and TM-21 calculations.

LEDs:

Multi-chip, high-output, long-life LEDs

Color Stability:

LED color temperature is warranted to shift no more than 200K in CCT over a 5 year period.

Color Temp:

4000 K (Natural white), 5000 K (Daylight), 5700 K

Color Uniformity:

Neu-Tech range of CCT follows the guidelines of the American National Standards for the Specifications for the Chromaticity of Solid State Lighting (SSL) Products, ANCI c78.377.2011

Color Rendering Index:

>70

Electrical

Drivers:

100-277V Input , 50-60 Hz
 Power Factor > 90%

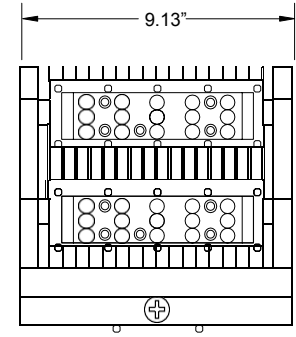
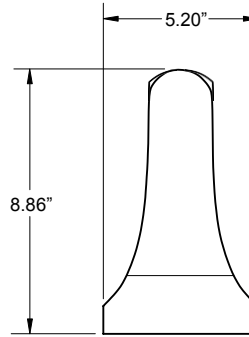
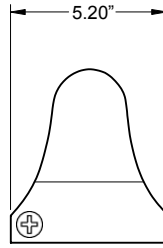
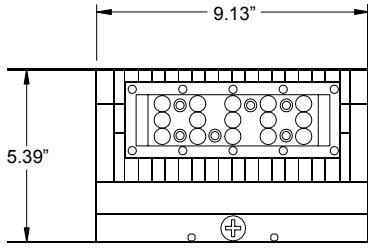
Ordering Matrix

Model	Wattage	Color Temperature	Housing Color
FWPR	025	50	BK
	025 = 25 W	40 = 4000 K	[blank] = Dark Bronze
	040 = 40 W	50 = 5000 K	BK = Black
	060 = 60 W	57 = 5700 K	SG = Silver Gray
	080 = 80 W		WH = White
	120 = 120 W		

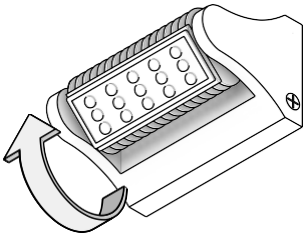
Dimensions

FWPR025
FWPR040
FWPR060

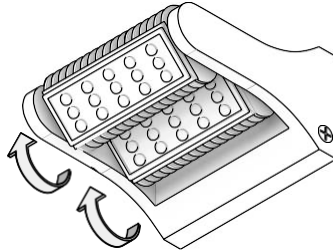
FWPR080
FWPR120



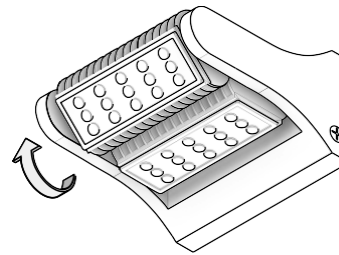
ADJUSTABLE ANGLE FEATURE (All FWPR Series Luminaires)



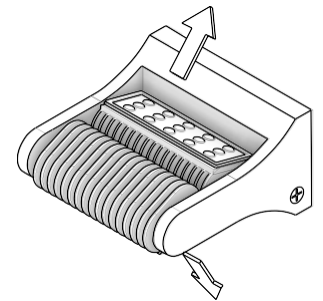
FWPR WALL LIGHT WITH A 360 DEGREE ROTATABLE MODULE



ADJUST BOTH MODULES TO LUMENATE A FURTHER DISTANCE FROM THE WALL FIXTURE

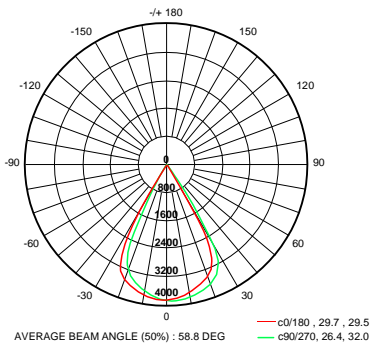


ADJUST 1 OF 2 MODULES TO LUMENATE UNDERNEATH AND DISTANCE FROM WALL FIXTURE

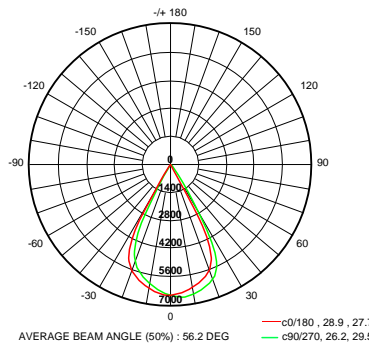


ADJUST BOTH MODULES TO LUMENATE UNDERNEATH AND ABOVE WALL FIXTURE

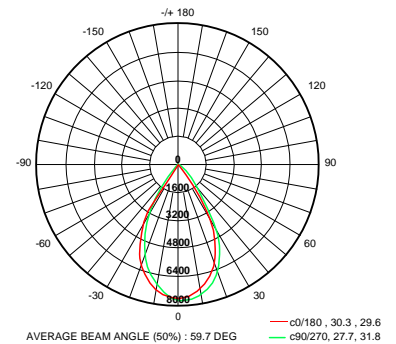
FWPR025 Polar Candela Distribution



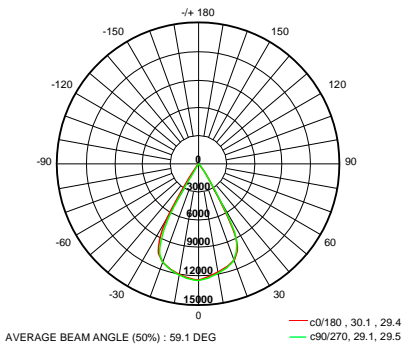
FWPR040 Polar Candela Distribution



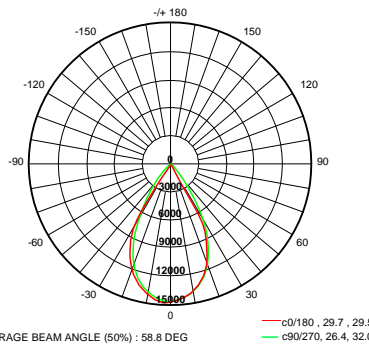
FWPR060 Polar Candela Distribution



FWPR080 Polar Candela Distribution



FWPR120 Polar Candela Distribution



Luminous Intensity Distribution

Model	10 ft High	14 ft High	17 ft High
FWPR025	26.33/40.13	14.81/22.57	9.48/14.45
FWPR040	46.32/67.68	26.05/38.07	16.67/24.36
FWPR060	48.01/78.79	27.01/44.32	17.29/28.36
FWPR080	84.70/128.0	47.64/71.97	30.49/46.06
FWPR120	91.60/151.7	51.53/85.34	32.98/54.62

*E avg / E max [fc/ftc]